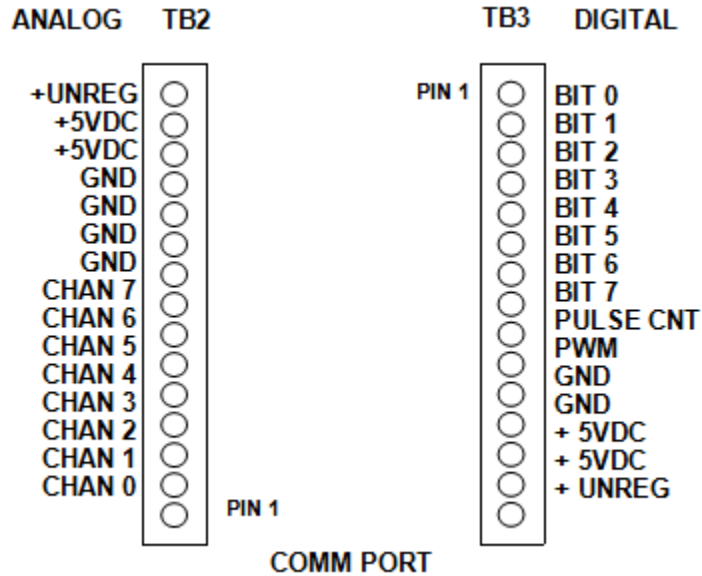


# Terminal Strip Pinouts

Information on the pinouts on the ADIO-100.



## LED Operation:

Blinking Green	[1 per second]	Unit functioning correctly - idle
Blinking Green	[rapid or steady]	Unit receiving serial data
Blinking Red	[rapid or steady]	Unit transmitting serial data
No LED		Unit is not functioning

**Power Supply:** 7.5-15.0 Vdc approx. 50 ma. nominal power, 24 VDC maximum 100 ma current draw (we suggest our PS9J a 9VDC 400 ma unregulated power supply).

**GND and Shield:** THE GND and Shield terminals are connected on the ADIO-100 board and are therefore electrically equivalent.

**RS-232 Cabling:** The RS-232 interface uses a "3 wire" RS-232 connection. That is to say only three wires are connected between the I/O Module and the Host PC: TxD, RxD, and GND.

**RS-232 Flow Control:** The HomeSeer Technologies modules do not support hardware or Xon/Xoff flow control.